

ARRANGEMENT OF THE ELECTRICAL INSTALLATION

(General notes)

PRESENTATION

These operational notes comprise :

- a schedule of bulbs,
- a schedule of fuses,
- a wiring diagram,
- a circuit diagram,
- a parts identification,
- a harness identification.

USE OF THE DIAGRAMS

The **wiring diagram** shows the position of the wires in harnesses and the approximate location of electrical parts on the vehicle.

The **circuit diagram** indicates the functions of the various circuits, and is primarily designed to assist in tracing faults. Certain components which have several functions on various circuits are shown in « exploded » form.

Key to identification coding :

The key is the same for both wiring diagram and circuit diagram.

Parts are identified on the circuit diagram by numbers in bold type. These numbers are indexed in the parts list, and opposite each part is given the vertical line in the circuit diagram along which each part can be located, according to its number.

Harnesses are identified by capital letters in bold type.

On the circuit diagram, the principal (front) harness is not normally identified.

Colour of wires and wire terminals are identified by letters in small type, as indicated in the colour code.

Colour code only indicates colour of terminal (e.g., Mv = Mauve terminal).

Colour code preceded by the letter F indicates colour of wire (e.g., F.Ve = green wire).

These two forms of identification can be used together (e.g., F.Ve Mv = green wire with mauve marking).

Where there is no risk of confusion, wires are not identified.

In some cases, these codes are followed by an arbitrary number ; this number is for identification of wires and is not an actual mark of the wire.

Only colours of wires relate to colours actually used in the wiring on the vehicle.

Symbols for the main components appearing on the circuit diagram are as shown below.

KEY TO SYMBOLS

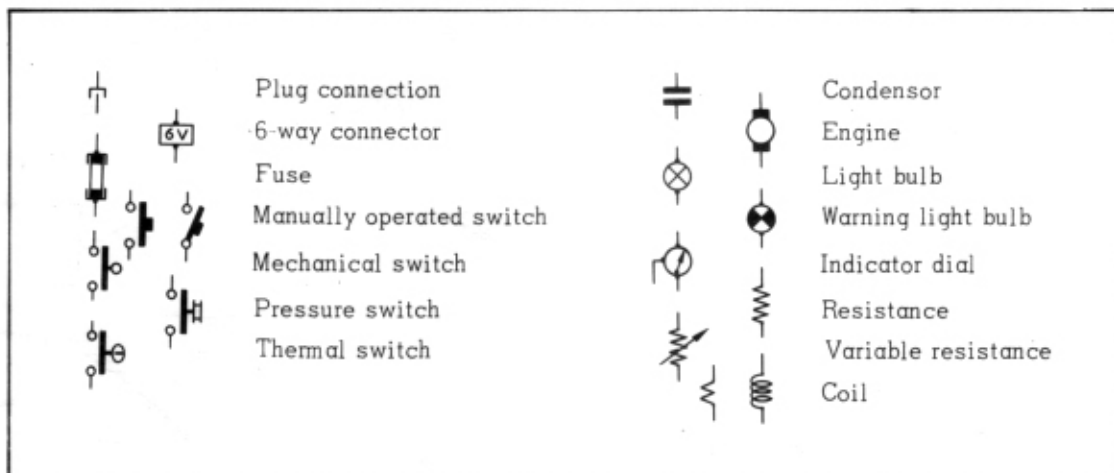


TABLE OF BULBS

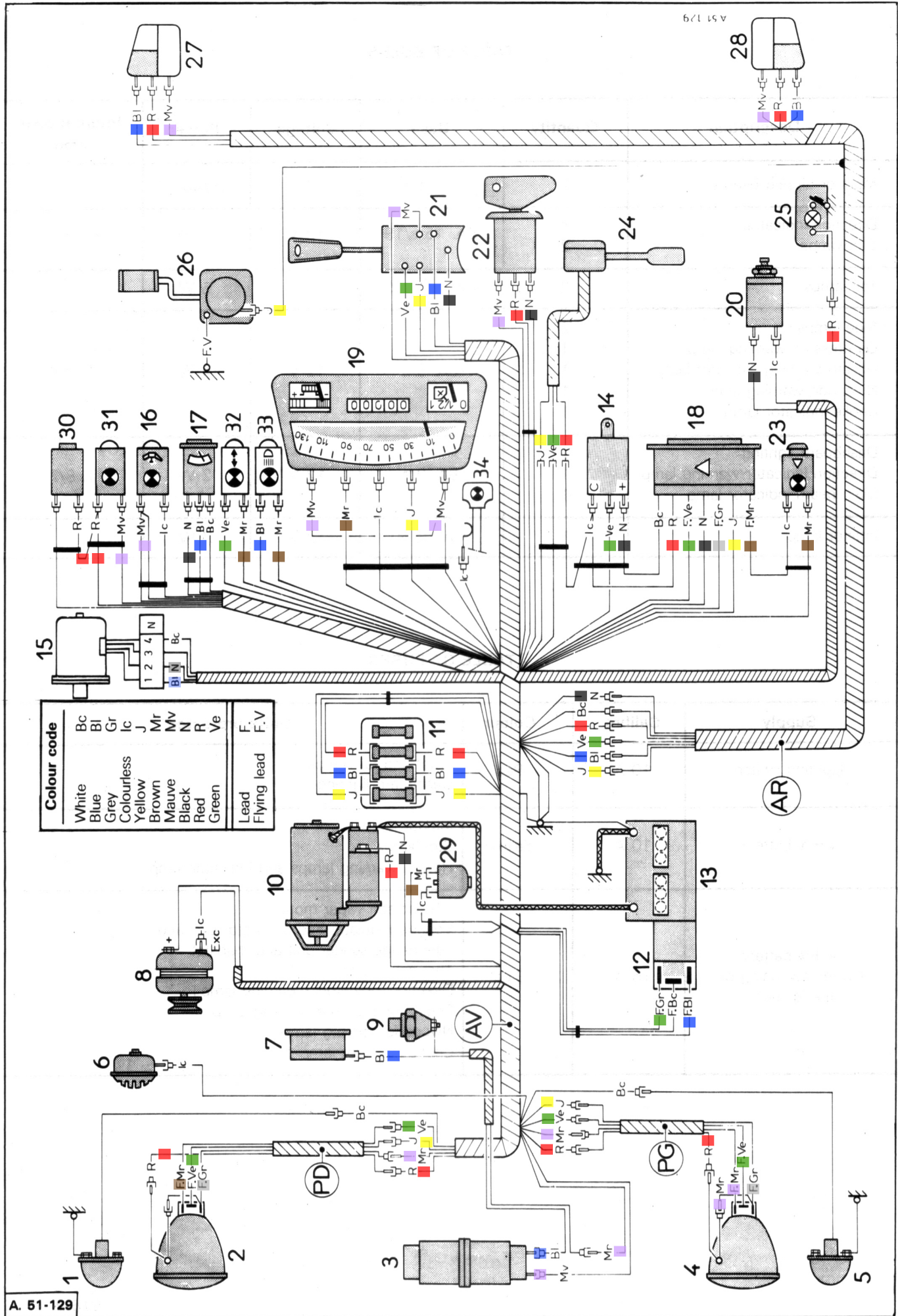
Description	Quantity	Base	Voltage	Power	International type
Main or dipped beams	2	P.45 t.41	12 V	45/40 W	E. 2
Direction indicators Stoplamps	4 2	BA. 15 s/19	12 V	21 W	P. 25/1
Tail lamps	2	BA. 15 s/19	12 V	5 W	
Side lamps Oil pressure warning lamp Hazard warning indicator lamp Nivocode warning lamp Choke indicator lamp	2 1 1 1 1	BA. 9 s	12 V	4 W	T. 8/4
Dashboard lighting Direction indicator warning lamp Main beam indicator lamp	1 1 1	BA. 9 s	12 V	2 W	T. 8/2
Interior lamp	1	BA. 15 s	12 V	7 W	

TABLE OF FUSES

Supply	Calibre	Colour	Units protected
Lighting switch	10 A	Red	Front and tail lamps Dashboard lighting
« + » battery	10 A	Yellow	Interior lamp Stoplamps Hazard warning lamps and indicator lamp
« + » battery (when switching on the ignition)	16 A	Blue	Windscreen wiper motor Voltage regulator and alternator excitation Fuel gauge sender unit and rheostat Thermal voltmeter Direction indicators (warning lamp) Engine oil pressure warning lamp Nivocode warning lamp Choke indicator lamp

Supplement No. 2 to Manual 816-2 (ADD)

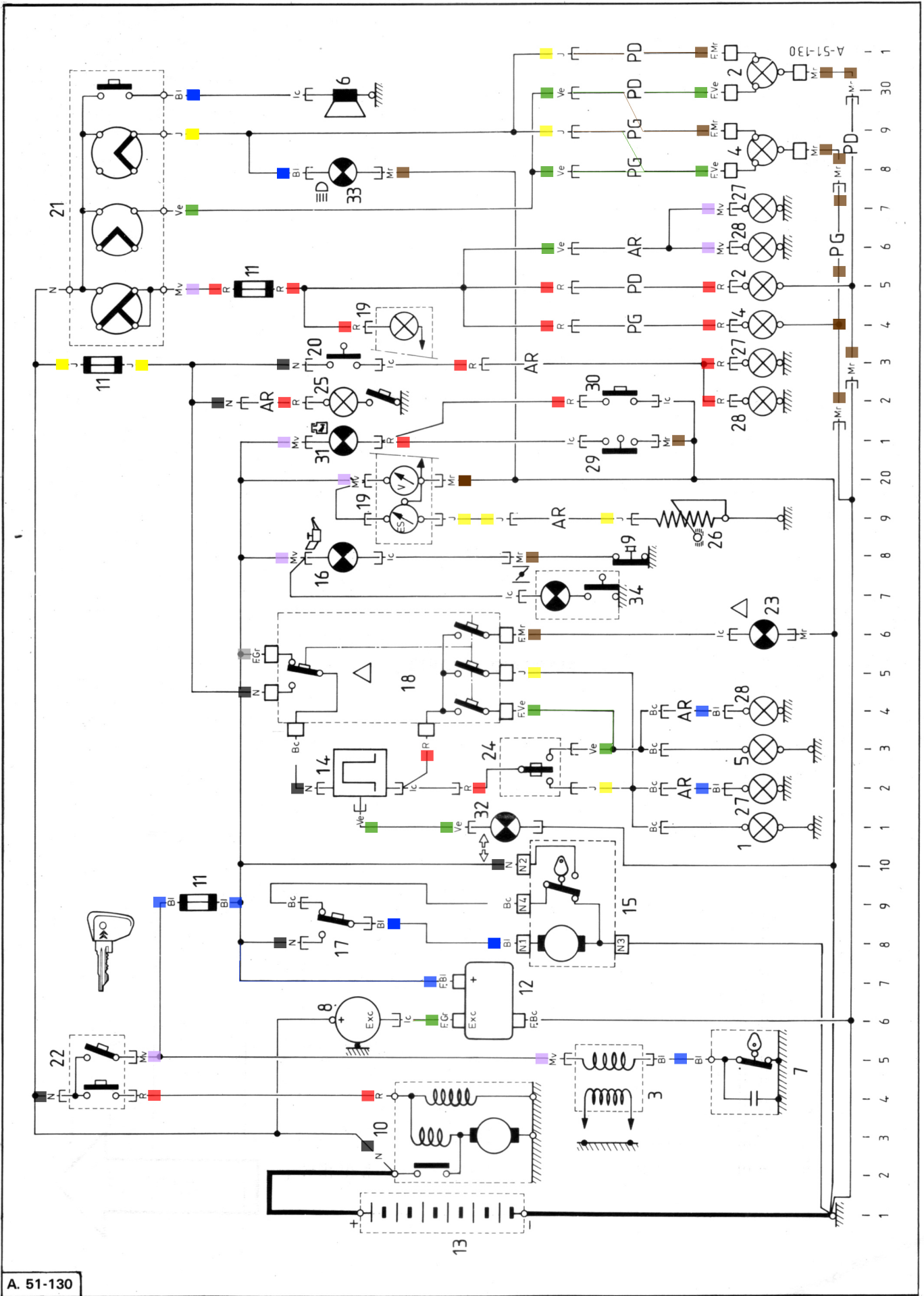
WIRING DIAGRAM



A 51 129

Arrangement
42
CIRCUIT DIAGRAM

Supplement No. 2 to Manual 816-2 (ADD)



A. 51-130

IDENTIFICATION OF PARTS

Ident. mark	Description	Position	Ident. mark	Description	Position
1	Front direction indicator, R.H. side	11	19	Dashboard :	
2	Headlamp, R.H. side :			- Lighting	24
	- Main beam	31		- Voltmeter (Club)	20
	- Dipped beam	30	20	- Fuel gauge sender unit	19
	- Side lamp	25	21	Stoplamp switch	23
3	Ignition coil	4 - 5	21	Lighting switch	25 to 29
4	Headlamp, L.H. side :		22	Anti-theft ignition switch	4 to 5
	- Mainbeam	29	23	Hazard warning indicator lamp	16
	- Dipped beam	28	24	Switch for direction indicator lamps	12 - 13
	- Side lamp	24	25	Interior lamp	22
5	Front direction indicator, L.H. side	13	26	Fuel gauge rheostat	19
6	Horn	30	27	Rear lamp cluster, R.H. side :	
7	Distributor	4 - 5		- Direction indicator	12
8	Alternator	6		- Stoplamp	23
9	Engine oil pressure switch	18		- Tail lamp	27
10	Starter	2 to 4	28	Rear lamp cluster, L.H. side :	
11	Fuse box	9 - 23 - 25		- Direction indicator	14
12	Voltage regulator	7		- Stoplamp	22
13	Battery	1		- Side lamp	26
14	Flasher unit	12 - 13	29	Level switch on brake fluid reservoir	21
15	Windscreen wiper motor	8 - 9	30	Push-button for checking Nivocode warning lamp	22
16	Oil pressure warning lamp	18	31	Nivocode warning lamp	21
17	Windscreen wiper switch	9	32	Direction indicator warning lamp (depending on country)	11
18	Switch for hazard warning device	14 to 16	33	Main beam indicator lamp (depending on country)	28
			34	Choke indicator lamp	17

IDENTIFICATION OF HARNESES

Without ident. mark			
AR	: Front harness	PG	: Headlamp harness, L.H. side
	: Rear harness	PD	: Headlamp harness, R.H. side
		FV	: Flying lead